

Subject: Installation of maintenance free fuel, oil and brake hoses

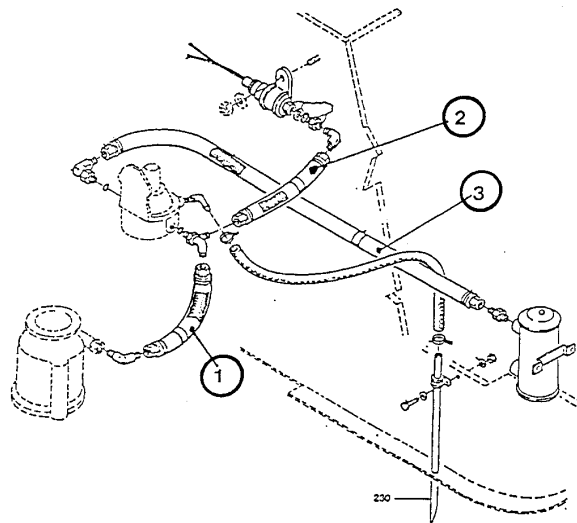
Models Affected: G 115, G 115A, G 115B

Time of Compliance: optional

Background Information: The optional installation of maintenance free fuel lines in the fuselage was already offered with Service Bulletin 1078-21. To prevent the periodic replacement as well of the fuel hoses in the engine compartment as of the oil and brake hoses, the optional installation of maintenance free hoses (made from Teflon material) is offered.

- Actions:**
1. In the Maintenance Manuals the following revisions must be incorporated:
 - MM G 115/ G 115A, German Issue: Revision 5, 31.01.2000
 - MM G 115/ G 115A, English Issue: Revision 5, 31.01.2000
 - MM G 115B, German Issue: Revision 2, 31.01.2000
 - MM G 115B, English Issue: Revision 2, 31.01.2000
 2. In the engine compartment the following fuel hoses are to be replaced:

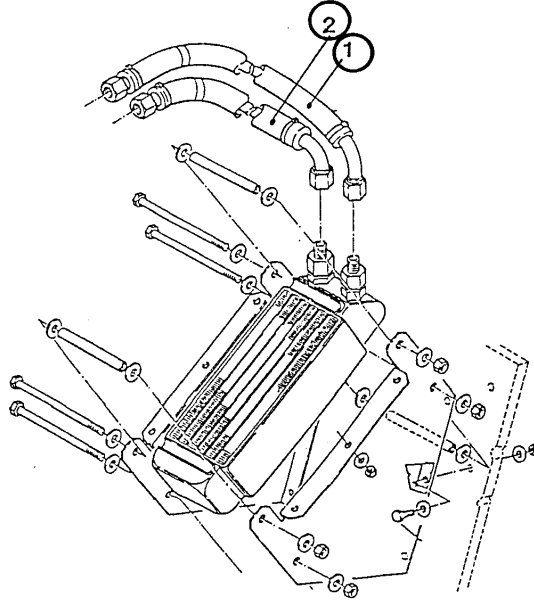
Item	P/N	Name
1	115-6270 115-6272 for G 115B	Fuel Hose
2	115-6261	Fuel Hose
3	115-6262	Fuel Hose



DATUM DATE	ERSETZT AUSGABE REPLACES ISSUE	BEARBEITET VON PREPARED BY	MUSTERGEPRÜFT APPROVED	SEITE PAGE
07.02.2001		R. Vodermeier		1 of 4

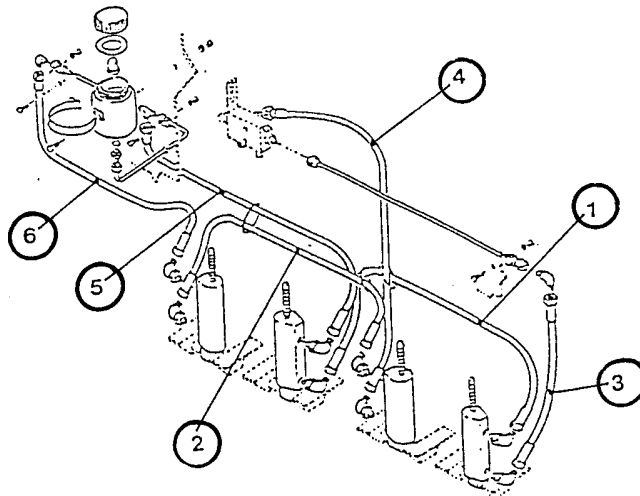
3. The following oil hoses are to be replaced at the oil cooler:

Item	P/N	Name
1	115-6007	Oil hose
2	115-6008	Oil hose



4. The following brake hoses are to be replaced:

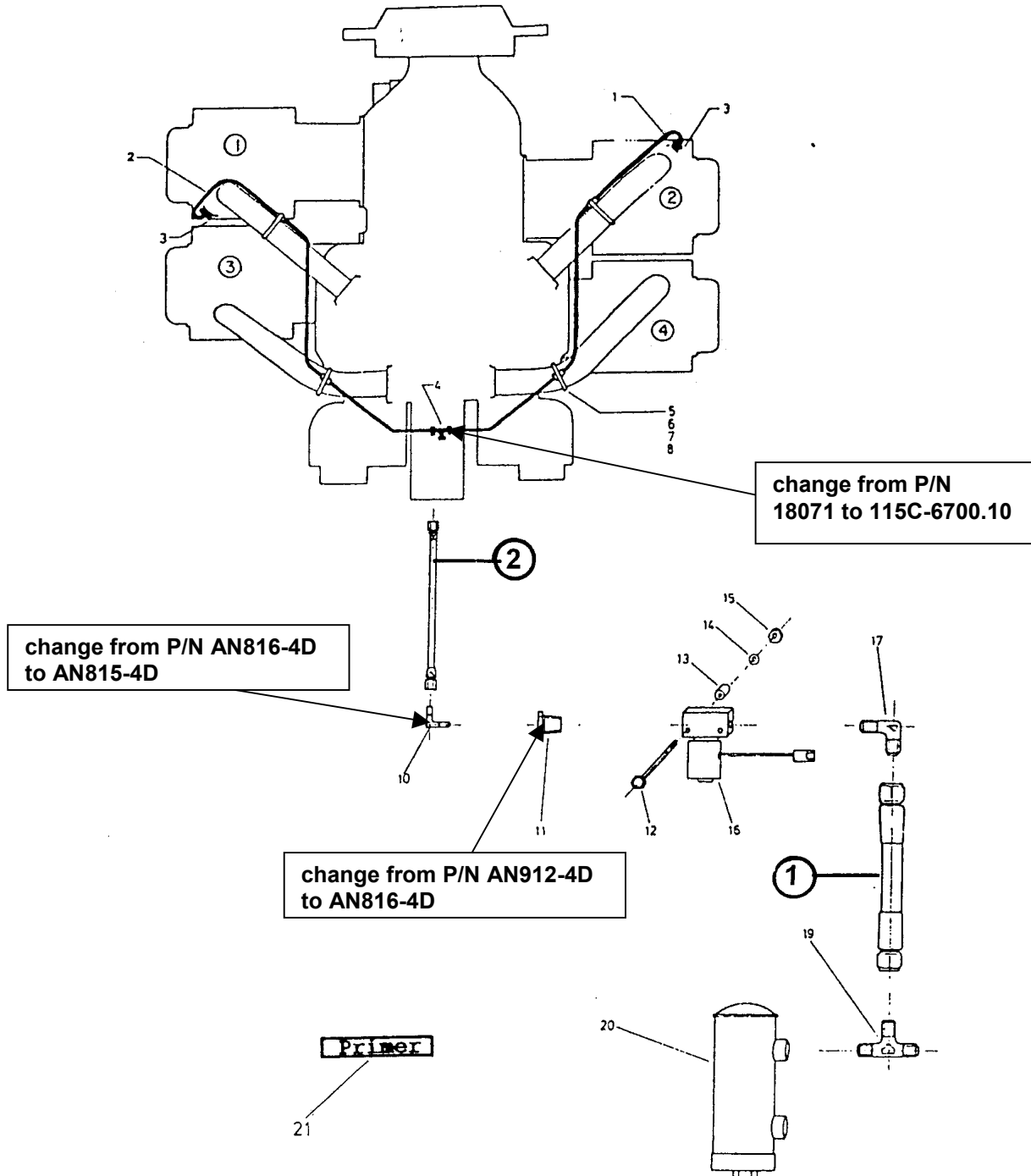
Item	P/N	Name
1	115-5321	Brake hose
2	115-5322	Brake hose
3	115-5323	Brake hose
4	115-5324	Brake hose
5	115-5325	Brake hose
6	115-5326	Brake hose




DATUM DATE	ERSETZT AUSGABE REPLACES ISSUE	BEARBEITET VON PREPARED BY	MUSTERGEPRÜFT APPROVED	SEITE PAGE
07.02.2001		R. Vodermeier		2 of 4

5. In the primer system (if installed) the following hoses are to be replaced:

Item	P/N	Name
1	115-6270	Fuel hose
2	115-6271	Fuel hose



DATUM DATE	ERSETZT AUSGABE REPLACES ISSUE	BEARBEITET VON PREPARED BY	MUSTERGEPRÜFT APPROVED	SEITE PAGE
07.02.2001		R. Vodermeier		3 of 4

 GROB LUFT UND RAUMFAHRT	Service Bulletin 1078-91/2	GROB G 115A/B
--	---	--------------------------------

Material: The material can be ordered from GROB. The exchange pages for the Maintenance Manual form part of the Service Bulletin.

Required material:

P/N	Name	Qty.
115-6270	Fuel hose	2
115-6272 for G 115B		1/1
115-6271	Fuel hose	1
115-6261	Fuel hose	1
115-6262	Fuel hose	1
115-6007	Oil hose	1
115-6008	Oil hose	1
115-5321	Brake hose	1
115-5322	Brake hose	1
115-5323	Brake hose	1
115-5324	Brake hose	1
115-5325	Brake hose	1
115-5326	Brake hose	1
AN815-4D	Fitting	1
AN816-4D	Fitting	1
115C-6700.10	Fitting	1

Weight and Balance negligible

Remarks: 1. The placards of the new hoses are designed as follows (example):

AEROQUIP C2178
 AE3663161G0110
 115-6260
 PT Jan. 00 A1 Q 00
 1500 PSIG, 10342kPa
 TEFLON 00624

2. The correct execution of the action has to be certified in the logbook by an authorised inspector.
3. If you have sold your aircraft in the meantime, would you kindly pass this information on to the new owner and forward his address and aircraft S/N to us.
4. For questions and assistance please contact:
 Rudi Vodermeier , Product Support,
 phone: +49 8268 998139
 fax: +49 8268 998200

Mattsies, 07 February 2001

LBA approved:

This Service Bulletin is approved by the German LBA on 27 October 2000. The English language has been accomplished to the best of our knowledge and judgement.

Dipl.Ing. (FH) H. Micheler
 (Manager Airworthiness/ Certification)

DATUM DATE	ERSETZT AUSGABE REPLACES ISSUE	BEARBEITET VON PREPARED BY	MUSTERGEPRÜFT APPROVED	SEITE PAGE
07.02.2001		R. Vodermeier		4 of 4