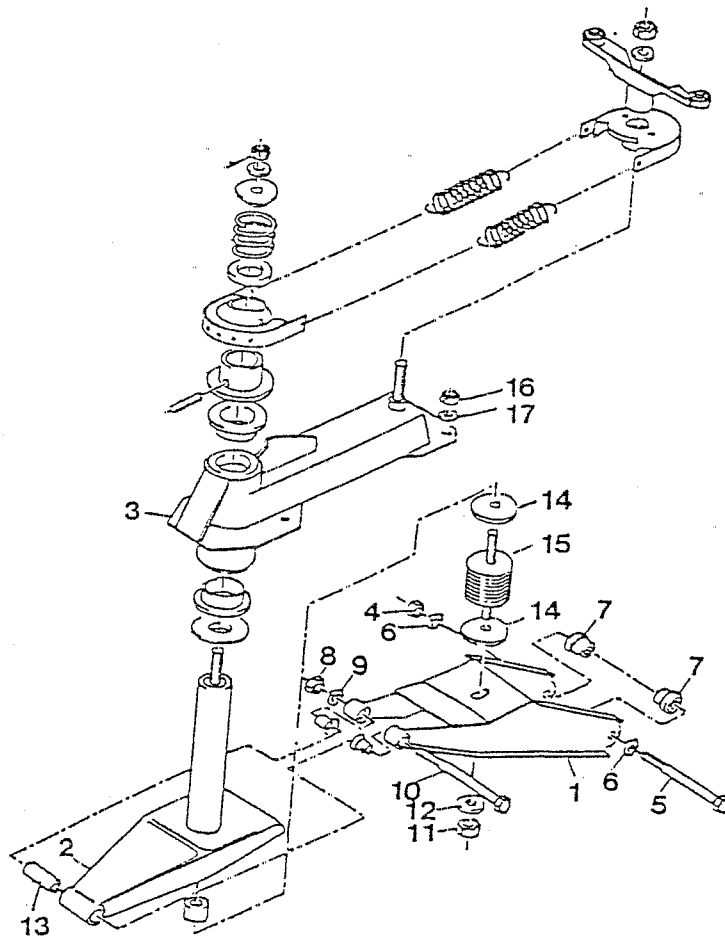


- Subject:** Installation of a dampered tailwheel
- Concerned:** G 109, all S/N's  
G 109B, S/N 6200 - 6445
- Urgency:** optional
- Procedure:** A dampered tailwheel is standard on G 109B motorgliders as of S/N 6500. GROB now offers this installation of the dampered tailwheel for all G 109 (according to drawing 109-2800) and G 109B, S/N's 6200 - 6445 (according to drawing 109B-2800 up to S/N 6445), as an option.
- Actions:**
1. The exchange of the tailwheel must be performed according to the Maintenance Manual Chapter 6.6 "Tailwheel unit" and figure 1 "Installation of a dampered tailwheel".
  2. A note will be added to the Maintenance Manuals during a new issue of the Maintenance Manuals according to Service Bulletin TM 817-33.

Figure 1: Installation of a dampered tailwheel

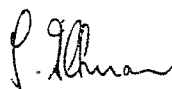


Item	Qty.	Name	Part-No.
1	1	Fork	109B-2809
2	1	Arm	109B-2810
3*	1	Mounting, tailwheel	109-2805 (S/N 6001-6159)
	1	Mounting, tailwheel	109B-2805 (S/N 6200-6445)
	1	Mounting, tailwheel	109B-2807 (as of S/N 6500)
4	1	Nut	LN9348-M8
5	1	Screw	DIN931-M8x100
6	2	Washer	LN9025-8,4
7	2	Bushing	109-2800.03
8	1	Nut	LN9348-M8
9	1	Washer	LN9025-8,4
10	1	Screw	DIN931-M8x90
11	1	Nut	LN9348-M10
12	1	Washer	DIN9021-10,5
13	2	DU-bushing	1215DU
14	2	Washer	109B-2807 47
15	1	GM buffer Type A	TYPE A 68* Shore
16	4	Nut	LN9348-M6
17	4	Washer	LN9025-6,4 ST

\* the installed tailwheel mounting can be reused during reassembly

- Material:** The material can be obtained from GROB with the attached Purchase Order.
- Weight and Balance:** After modification the empty weight and the center of gravity must be determined.
- Remarks:**
1. The modification can be performed by a competent person or an authorized aviation work shop and has to be certified in the logbook by an authorized inspector.
  2. If you have sold your motorglider in the meantime, would you kindly pass this information on to the new owner and forward his name and address and aircraft S/N to us.

Mattsies, 01 June 1993



Dipl.Ing. J. Altmann  
(Airworthiness engineer  
certification staff)

**LBA approved:**

This Service Bulletin is originally written in German and approved by the German LBA on the 16 July 1993 and is signed by Mr. U. Kopp.

The translation has been accomplished to the best of our knowledge und judgement. In case of doubt, the German original is authoritative.