

## SERVICE BULLETIN NO. MSB1078-168

### I. TECHNICAL DETAILS

#### 1.1 Category:

Mandatory

#### 1.2 Airplanes affected:

Bezeichnung / Description	LBA Kennblatt-Nr. TCDS	EASA TCDS	FAA TCDS	Serial-Nr.
G 115 (incl. A/C modified to G115B)	1078	EASA.A.364	A57EU	8008-8088
G 115A (incl. A/C modified to G115B)	1078	EASA.A.364	A57EU	8090-8109
G 115C	1078	EASA.A.364	A57EU	82001-82084 (C)
G 115C2	1078	EASA.A.364	A57EU	82001-82084 (C2)
G 115D	1078	EASA.A.364	A57EU	82001-82084 (D)
G 115D2	1078	EASA.A.364	A57EU	82001-82084 (D2)
G 115E	1078	EASA.A.364		82086/E-82185/E 82301/E-82323/E
G 115EG	1078	EASA.A.364	A57EU	82200-82273

#### 1.3 Time of Compliance:

During next 100 hours inspection, but not later than 31 March 2010

#### 1.4 Subject:

ATA-Code: 73-10 Fuel - Distribution  
Inspection of the Airfilterbox

### **1.5 Reason:**

Grob received a report where on a G 115 a RPM drop was noticed shortly after take-off. Due to the loss of performance an off-field landing was performed. The following incident investigation revealed, that the lip seal of the alternate air flap inside the airfilterbox was torn off and partially blocked the carburetor. This Service Bulletin includes more detailed instruction to inspect the condition of the alternate air flap lip seal during regular maintenance in particular, although a general examination of the box and a functional test is already given during the 100 hours inspection in the corresponding AMMs.

### **1.6 Concurrent documents:**

G 115 AMM TR No. 05-1, 76-1  
G 115B AMM TR No. 05-1, 76-1  
G 115C/D AMM TR No. 05-6, 72-03  
G 115E AMM TR No. 05-16, 73-05  
G 115EG AMM TR No. 05GV-03, 73JG-02

### **1.7 Approval Note:**

The technical content of this document is approved under the authority of EASA Design Organization Approval No. EASA.21J.030.

### **1.8 Accomplishment/ Instructions**

- 1.8.1 Ensure that the aircraft is safe for parking I.A.W. MM chapter 10-10.
- 1.8.2 Remove the upper and lower engine cowling I.A.W. MM chapter 71-10.
- 1.8.3 Remove airfilter I.A.W. MM chapter 73-10.
- 1.8.4 Examine alternate air flap P/N 115-6602 (page 3, Fig. 1, item 20) for undamaged lip seal. In any case of doubt remove flap from the airfilterbox for examination.
- 1.8.5 If the lip seal is damaged (cracked, brittled etc.), replace alternate air flap.
- 1.8.6 Inspect airfilterbox for foreign objects.
- 1.8.7 Install the airfilter I.A.W. MM chapter 73-10.
- 1.8.8 Install the upper and lower engine cowling I.A.W. MM chapter 71-10.
- 1.8.9 Release aircraft back to service.

**1.9 Repetitive Actions**

According to TR listed in para. 1.6

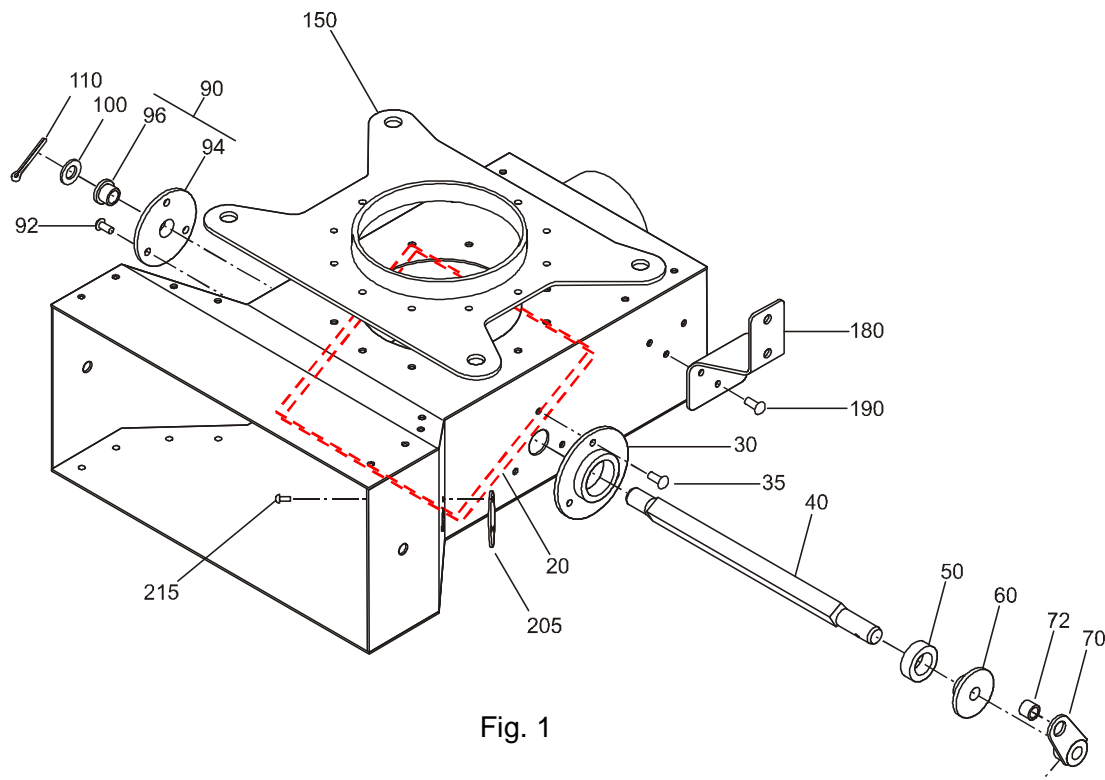


Fig. 1

**II. PLANNING INFORMATION**

**2.1 Weight and CG**

N/A

**2.2 Material and Availability**

Item	Part Number	Description	Quantity	Remarks
1	115-6602	Alternate Air Flap	1	

Further required parts may be ordered according to the corresponding IPC.

**2.2 Special Tools**

N/A

### **2.3 Labor costs**

N/A

### **2.4 Reference documents**

G 115 AMM  
G 115B AMM  
G 115C/D AMM  
G 115E AMM  
G 115EG AMM

### **2.5 Credit**

N/A

## **III. REMARKS**

- The correct execution of the instructions in paragraph 1.8 may be performed by a competent person/an authorized aviation workshop or at the manufacturer and has to be certified in the logbook by an authorized inspector.
- If you have sold your aircraft in the meantime, would you kindly pass this information on to the new owner and forward his address and aircraft S/N to us.
- For questions and assistance please contact:

Rudi Vodermeier, Head of Customer Service & Support,

phone: +49 8268 998139

fax: +49 8268 998200

e-mail: [productsupport@grob-aircraft.com](mailto:productsupport@grob-aircraft.com)

SB-Index: <http://www.grob-aircraft.eu/service-and-support/g-115.html>

Order: <http://www.grob-aircraft.eu/service-and-support/general/order-form.html>