

SERVICE BULLETIN NO. RSB 817-77

I. TECHNICAL DETAILS

1.1 Category:

Recommended

1.2 Airplanes affected:

G109B only A/Cs with OCN817-030 equipped

1.3 Time of Compliance:

On holders discretion

1.4 Subject:

ATA-Code: 79-20 Oil Cooler and Oil Thermostat
Modified oil-cooler bracket

1.5 Reason:

The weld on the oil cooler adapter that holds the oil cooler can be modified to improve durability. This Service Bulletin is intended to improve the reliability and service life of the oil cooler adapter. The configuration of the aircraft is affected by this Service Bulletin.

1.6 Concurrent documents:

Corresponding AMM and IPC

1.7 Approval Note:

The technical content of this document is approved under the authority of the DOA ref. EASA.21J.030.

These information or instructions relate to change no. MCN 817-089, which is approved under the authority of the DOA ref. EASA.21J.030.

1.8 Accomplishment/ Instructions

- 1.8.1 Make the aircraft safe for parking, refer to AMM Chapter 10-10.
- 1.8.2 Remove the L/H and R/H cowlings, refer to AMM Chapter 71-10.
- 1.8.3 Remove the old adapter weld assy, refer to Figure 1 and keep the bolts and washers.

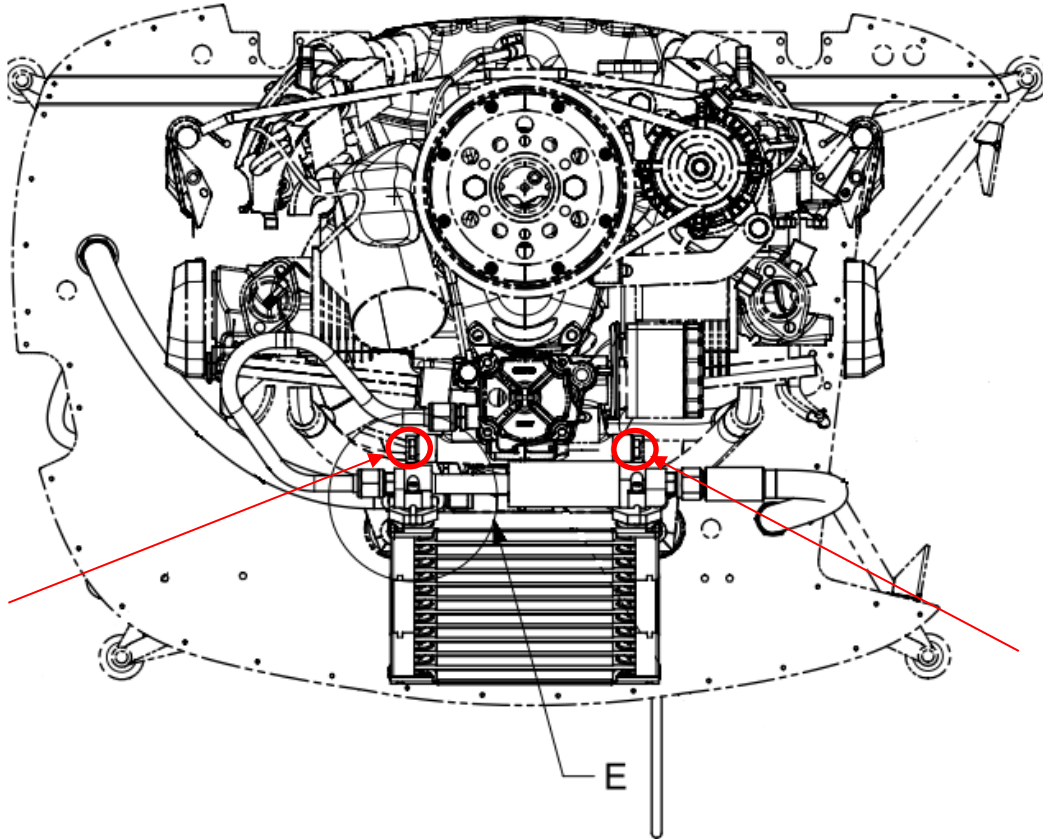


Figure 1 Overview Engine

- 1.8.4 Install the new adapter weld assy R/H, item 1 of list 2.2.
- 1.8.5 Secure the highlighted R/H bolt, refer to Figure 1, with screw locking adhesive LOCTITE 243 (GS513007).
- 1.8.6 Install the new adapter weld assy L/H, item 2 of list 2.2.
- 1.8.7 Secure the highlighted L/H bolt, refer to Figure 1, with screw locking adhesive LOCTITE 243 (GS513007).
- 1.8.8 Install the L/H and R/H cowlings, refer to AMM Chapter 71-10.
- 1.8.9 Release the aircraft back into service according to national requirements.

1.9 Repetitive Actions

N/A

II. PLANNING INFORMATION

2.1 Weight and CG

N/A

2.2 Material and Availability

Item	P/N	Description	Qty. / A/C
1	109B-6718/3-2	Adapter weld assy RH	1
2	109B-6714/3-2	Adapter weld assy LH	1

2.3 Special Tools

N/A

2.4 Labor costs

N/A

2.5 Reference documents

N/A

2.6 Credit

N/A

III. REMARKS

The instructions in paragraph 1.8 have to be accomplished and certified in the logbook by authorized staff:

- in EASA countries according to EASA Part 66.
- in non-EASA countries according to national regulations with respect to maintenance.

If you have sold your aircraft in the meantime, we kindly ask you to forward this information to the new owner and to provide us with the name and address of the new owner as well as with the respective serial number.

For questions and assistance or in case of occurrence please contact:

phone: Product Support,
+49 8268 998105
e-mail: productsupport@grob-aircraft.com