

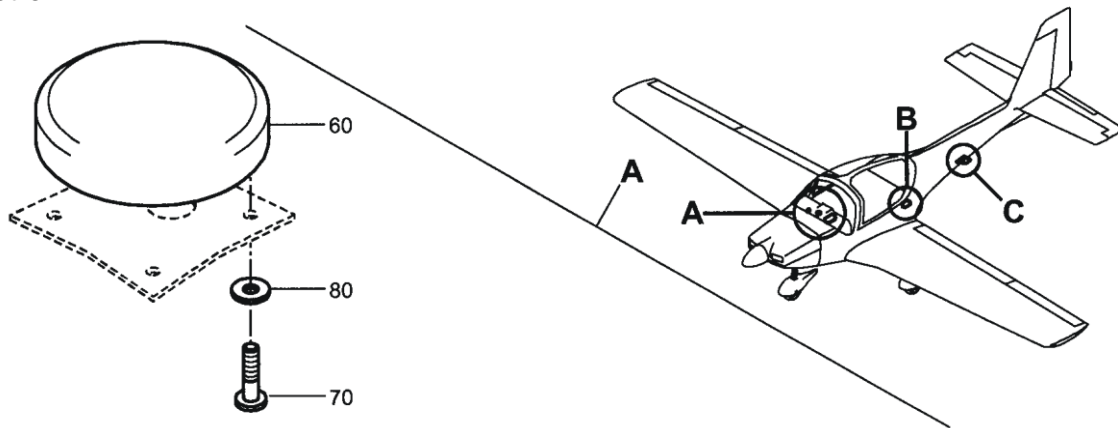
Subject: Installation of GPS antenna

Models Affected: G 115E, all S/N

Time of Compliance: optional

Background Information: The installation of the GPS antenna P/N AU 22522 is approved.

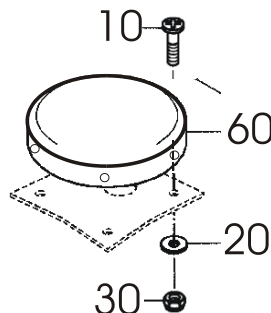
Action:




Replace the GPS antenna as follows:

- remove the GPS (item 60) antenna P/N ANP-C-114 and co—axial cable IAW Maintenance Manual Chap. 34-50
- install the antenna P/N AU 22522 (item 60) using the screws P/N DIN965M3x12 (item 10), washer P/N DIN9021-3,2 (20) and nuts LN9348-M3 (30)
- connect new co-axial cable P/N RB 09 ERG142-X to antenna and DGPS
- do a test for the correct operation of the DGPS

NOTE: It might be necessary to enlarge the hole for the plug !



DATUM DATE	ERSETZT AUSGABE REPLACES ISSUE	BEARBEITET VON PREPARED BY	MUSTERGEPRÜFT APPROVED	SEITE PAGE
18.05.2000		R. Vodermeier		1 of 2

	Service Letter 115-4	GROB G 115E
---	---------------------------------	------------------------

Material:

Qty.	P/N	Name
1	AU 22522	GPS antenna
1	RB 09 ERG142-X	GPS cable
4	DIN965M3x12	Screw
4	DIN9021-3,2	Washer
4	LN9348-M3	Nut

Weight and Balance: not concerned

Remarks: -----

Contact: For questions and assistance please contact:
Rudi Vodermeier , Product Support,
phone: +49 8268 998139
fax: +49 8268 998200

Mattsies, 18 May 2000

Dipl.Ing. (FH) H. Micheler
(Manager Airworthiness/ Certification)

DATUM DATE	ERSETZT AUSGABE REPLACES ISSUE	BEARBEITET VON PREPARED BY	MUSTERGEPRÜFT APPROVED	SEITE PAGE
18.05.2000		R. Vodermeier		2 of 2