

SERVICE BULLETIN NO. MSB1078-190

I. TECHNICAL DETAILS

1.1 Category:

Mandatory

1.2 Airplanes affected:

G 115C, C2, D, D2 S/N82001-82077 with SB 1078-62 accomplished
G 115TA all S/N

1.3 Time of Compliance:

Next scheduled maintenance or annual inspection, which ever occurs first,
but not later than 28.02.2013.

1.4 Subject:

ATA-Code: 51-00 Standard Practices and Structures - General
Replacement of self locking nuts

1.5 Reason:

EASA issued Safety Information Bulletin SIB 2012-06 about defective standard hardware. GROB aircraft have standard parts according to NAS1291 and MS21042 in their list of parts. Grob Service Letter SL-GROB-016 has informed the operators about the installation of these parts in Grob aircraft. This Service Bulletin mandates the replacement of the affected parts at critical installations.

1.6 Concurrent documents:

- Grob Service Letter SL-GROB-16 Defective Standard Hardware, latest revision
- EASA Safety Information Bulletin SIB 2012-06R1, issued 07 August 2012
- Corresponding Aircraft Maintenance Manual (AMM), latest revision.
- Corresponding Illustrated Parts Catalogue (IPC), latest revision.

1.7 Approval Note:

The technical content of this document is approved under the authority of EASA Design Organization Approval No. EASA.21J.030.

1.8 Accomplishment/ Instructions

1.8.1 Make aircraft safe for parking, refer to AMM 10-10.

1.8.2 For G 115C/D only:

Replace items 100 of chapter 55-10 page 7 of IPC by airworthy parts. Refer to Appendix for illustration of the affected parts. Refer to AMM for removal and installation procedure.

For G 115TA only:

Replace items 100 of chapter 27-20 page 17 of IPC by airworthy parts.

Replace items 270 of chapter 55-10 page 3 of IPC by airworthy parts. Refer to Appendix for illustration of the affected parts. Refer to AMM for removal and installation procedure.

Note: Parts that are purchased from GROB Aircraft after distribution of this Service Bulletin have accomplished the incoming inspection in accordance with EASA SIB 2012-06R1.

1.8.3 Release aircraft into service.

1.9 Repetitive Actions

Recommendations of EASA SIB 2012-06, latest revision, have to be followed.

II. PLANNING INFORMATION

2.1 Weight and CG

N/A

2.2 Material and Availability

Refer to Appendix

2.3 Special Tools

N/A

2.4 Labor costs

N/A

2.5 Reference documents

N/A

2.6 Credit

N/A

III. REMARKS

The instructions in paragraph 1.8 have to be accomplished and certified in the logbook by authorized staff:

- in EASA countries according to Article 5 VO EG 2042/03 (VO EG 1056/2008) Appendix III – Part 66
- in non-EASA countries according to national regulations with respect to maintenance.

If you have sold your aircraft in the meantime, we kindly ask you to forward this information to the new owner and to provide us with the name and address of the new owner as well as with the respective serial number.

For questions and assistance please contact:

	Product Support,
phone:	+49 8268 998139
fax:	+49 8268 998200
e-mail:	productsupport@grob-aircraft.com

File Item	Part No (and Manufacturer)	Benennung	Nomenclature						APPLICABILITY											
			1	2	3	4	5	6	C	C1	C2	D	D2							
R	03-1	Hohentflöcke																		
R	010	Gewindbuchse	Horizontal Stabilizer																	
R	020	HLW-Hauptbolzen	Threaded Bush																	
R	030	Buchse	Main Bolt																	
R	040	Schraube	Bush																	
R	050	Scheibe	Special Washer																	
R	060	Scheibe	Special Washer																	
R	070	Kronenmutter	Castellated Nut																	
R	080	Stopmutter	Spill-pin																	
R	100	Scheibe	Self Locking Nut																	
R	110	Scheibe	Special Washer																	
R	120	Scheibe	Special Washer																	
R	130	Buchse	Bush																	
R	140	Buchse	Bush																	
R	150	Scheibe	Special Washer																	
R	160	Scheibe	Special Washer																	
R	170	Schraube	Bolt																	

- Item not illustrated
Issue 1

Rev 2

Seite/Page: 07
30 Apr 98

55-10

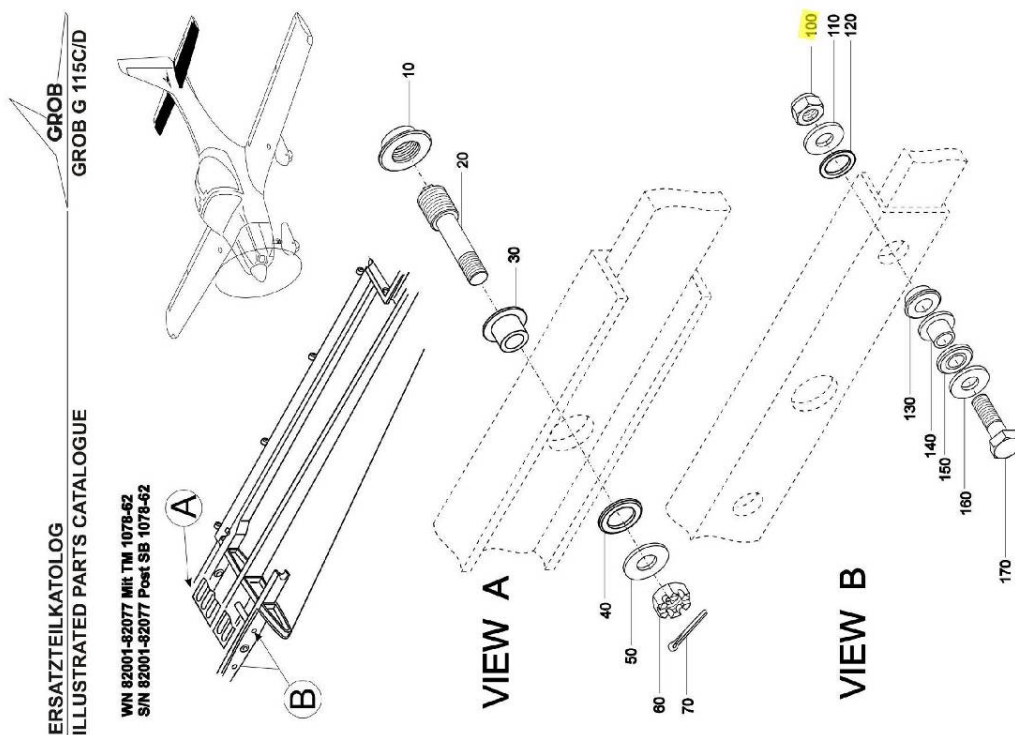


ABB. 03 HOHENFLOSSE
FIG. 03 HORIZONTAL STABILIZER

Issue 1

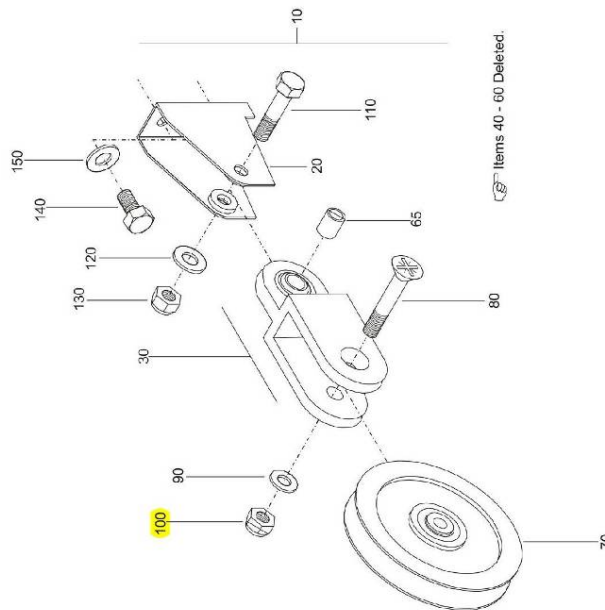
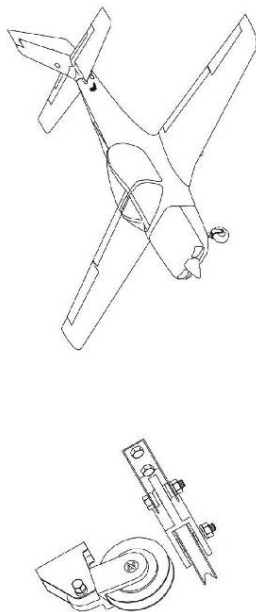
Rev 2

Seite/Page: 06
30 Apr 98

55-10

Fig Item	Part No (and Manufacturer)	Benennung						Nomenclature						Qty	S/N from	S/N to
		1	2	3	4	5	6	1	2	3	4	5	6			
08-1		ROLLENBOCK HINTEN						REAR PULLEY INSTALLATION						RF	-	-
010	1157A-4240	U-bloch						Pulley Block Assy						2	-	-
020	1157A-4243	Schwenkhebel ZsB						Charnol						1	-	-
030	1157A-4241	40 - 60 Entfernt						Swinging Fork Assy						1	-	-
040		DU Buchse						40 - 60 Deleted						RF	-	-
065	0610DU	Seileile						GRElash						1	-	-
070	MS23220-A2	Senkschraube						Screw, Countersunk						1	-	-
080	NAS1205-17	Scheibe						Washer						1	-	-
090	AN600-516	Mutter						Nut						1	-	-
100	MS21042-5	Schraube						Bolt						1	-	-
110	LN9037-08030	Schraube						Washer						1	-	-
120	LN9025-6,4ST60-2	Mutter						Nut						1	-	-
130	LN9348-06	Schraube						Bolt						1	-	-
140	LN9037-06020	Scheibe						Washer						4	-	-
150	LN9025-0615	Scheibe						Washer						4	-	-

- Item not illustrated
 1157A.PC.002-E Issue 2



Items 40 - 60 Deleted.

ABB. 08 ROLLENBOCK HINTEN
 FIG. 08 REAR PULLEY INSTALLATION

1157A.PC.002-E Issue 2

Fig Item	Part No (end Manufacturer)	Benennung	Nomenclature					Qty	S/N from	S/N to
			1	2	3	4	5			
R 01-1	115TA-3501	HÖHENFLOSSE Original 10 - 130; Entfemt	HORIZONTAL STABILIZER Original 10 - 30 Deleted					RF	-	-
R 010	115TA-3565	AM Blech	Plate					2	-	-
R 060	MS20426AD3-6	Senkblech	Rivet					4	-	-
R 080	115TA-3562	Lager ZSB	Bearing Assy					6	-	-
R 140	LN9037-116D/0	Schraube	Washer					18	-	-
R 150	LN9025-05/0	Mutter	Nut					18	-	-
R 160	LN9348-05	Buchse	Bush					2	-	-
R 210	115TA-3532.10	Schraube	Washer					2	-	-
R 220	115TA-3532.11	Schraube	Washer					2	-	-
R 240	NAS6209-26D	Schraube	Washer					2	-	-
R 250	115TA-3600.09	Schraube	Washer					2	-	-
R 260	115TA-3600.10	Schraube	Washer					2	-	-
R 270	NAS1291-C08	Stopmutter	Stop Nut					2	-	-
R 280	115TA-3531.11	Buchse	Bush					1	-	-
R 290	115TA-3531.12	Schraube	Washer					1	-	-
R 310	115TA-3600.03	Höhenlewerk-hauptbolzen	Horizontal Stabilizer Bolt					1	-	-
R 320	115TA-3600.11	Schraube	Washer					1	-	-
R 330	DIN 975-M16	Kronmutter	Nut, Stotted					1	-	-
R 340	LN94-4X35	Spalt	Cotter Pin					1	-	-

- Item not illustrated
 115TA.PC.002-E Issue 2

Rev 6

Seite/Page: 03
 18 Aug 11

55-10

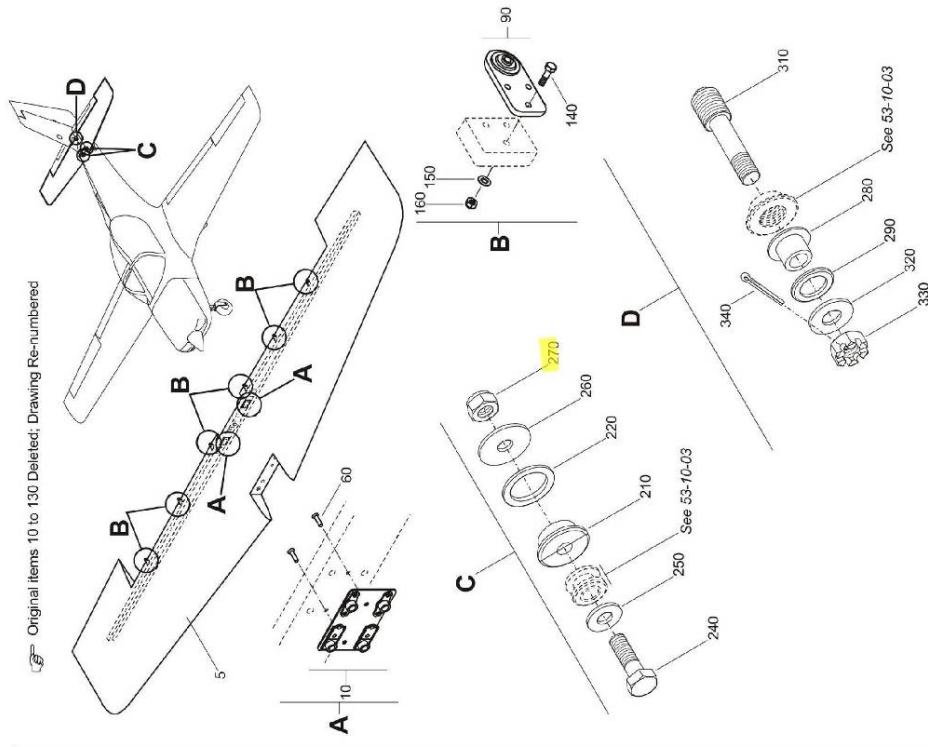


ABB. 01 HÖHENFLOSSE
 FIG. 01 HORIZONTAL STABILIZER

115TA.PC.002-E Issue 2

Rev 6

Seite/Page: 02
 18 Aug 11

55-10