

This Service Bulletin supersedes Service Bulletin TM 1078-29, dated 22 June 1993.

Subject: Elevator lever exchange

Concerned: G 115/ G 115A/ G 115B, all S/N's

Urgency: before reaching 1000 flight hours, but an earlier exchange is recommended

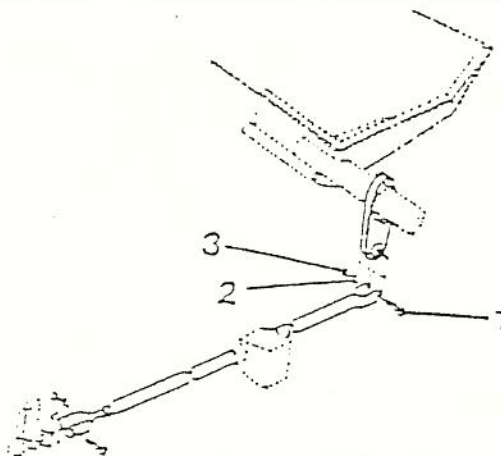
Procedure: Service Bulletin TM 1078-29 prescribes a periodic inspection of the elevator lever P/N 115-3571 during the 100-h-inspection. This inspection can be eliminated by the replacement of the new designed elevator lever P/N 115-3571/1.

Actions: The exchange must be performed as follows:

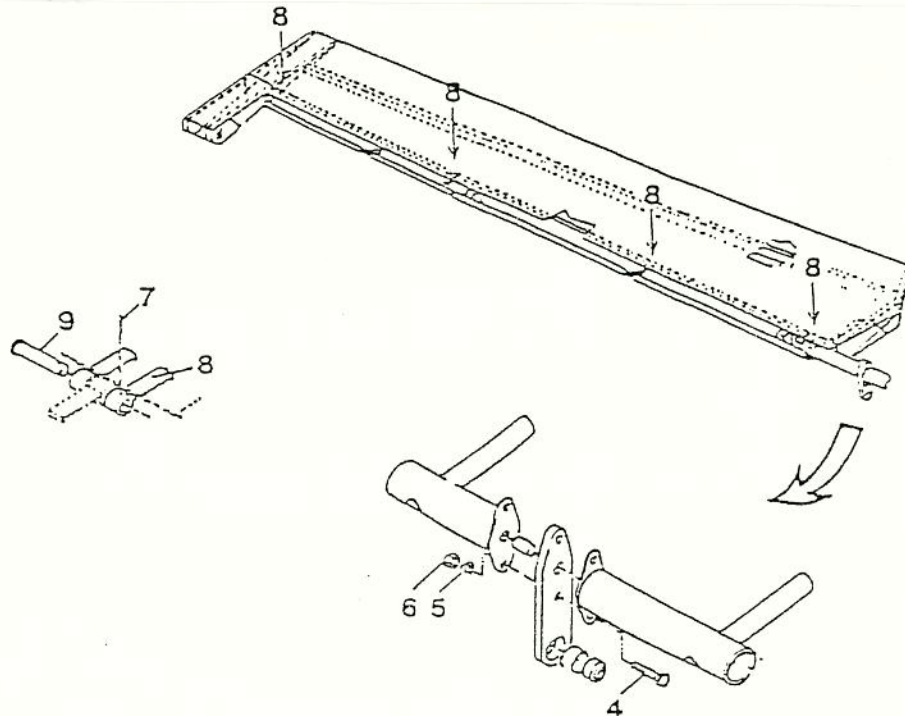
Note

It is recommended, to perform the exchange of the elevator lever in combination with Action B of Service Bulletin 1078-30.

1. Remove rudder, according to MM Chapter 27-20-30.
2. Disconnect elevator rod 3 from elevator lever by removing screw (1), washer (2) and nut (3).



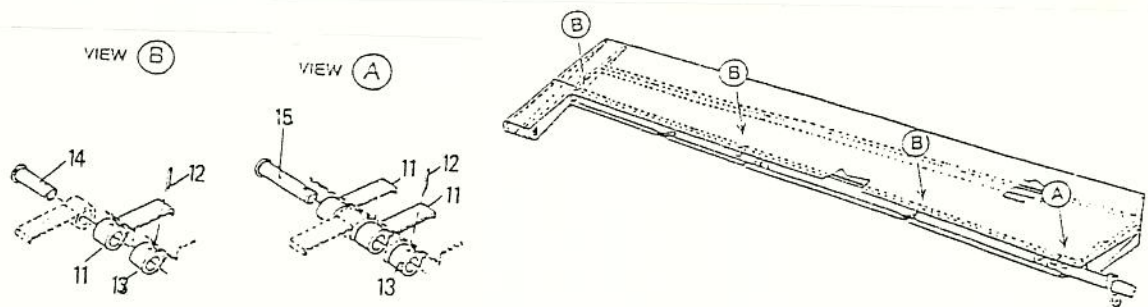
3. Remove elevator and elevator lever.
 - remove 2 screws M6 (4), washer (5) and nuts (6)
 - disconnect L/H elevator trim tab actuators, according to MM Chapter 27-40
 - remove spiral pins (7) from elevator hinges (8)
 - Note:** Support hinges with a proper tool to prevent delamination of the hinges!
 - remove hinge pins (9) and remove elevator rearwards, remove elevator lever



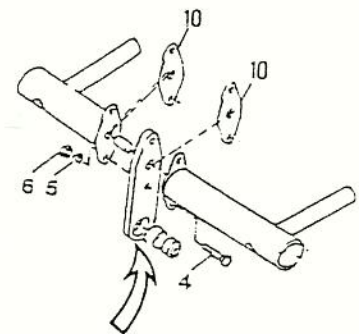
4. Install new elevator lever P/N 115-3571/1, using new screws and nuts (refer to sketch). If Action B of Service Bulletin TM 1078-30 is not performed at the same time, 2 plates (10) P/N 115-3573.03/1 must be installed during assembly.
Install elevator (in reverse order to workstep 3).

Note

The installation of an auxiliary hinge ring is recommended for easier assembly (refer to sketch). For this a 6 mm longer hinge bolt must be used (refer to appendix "Internal Change Note IM 115-19").



Item	Name	P/N
10	Plate	115-3573.03/1
11	Hinge	115-1140
12	Spiral pin	DIN 7344 2x10
13	Auxiliary hinge ring	109B-1125
14	Hinge bolt	DIN 1434 6F-34
15	Hinge bolt	DIN 1434 6F-46



Elevator Lever P/N 115-3571/1

5. Install rudder, according to MM Chapter 27-20-30.
6. Check adjustment of elevator and rudder control, according to MM Chapter 06.
7. Perform functional test of elevator and rudder control.

Material: The material can be obtained from GROB with the attached Purchase Order.

Weight and Balance: not concerned

Remarks: If you have sold your aircraft in the meantime, would you kindly pass this information on to the new owner and forward his name and address and aircraft S/N to us.

Mattsies, 12 August 1993



Dipl.Ing. J. Altmann
(Airworthiness engineer
certification staff)

LBA approved:

This Service Bulletin is originally written in German and approved by the German LBA on the 14 October 1993. The translation has been accomplished to the best of our knowledge and judgement. In case of doubt, the German original is authoritative.